



MICRO SWITCHES

MA Series
MB Series



Micro Swithes(MB Series)

General features

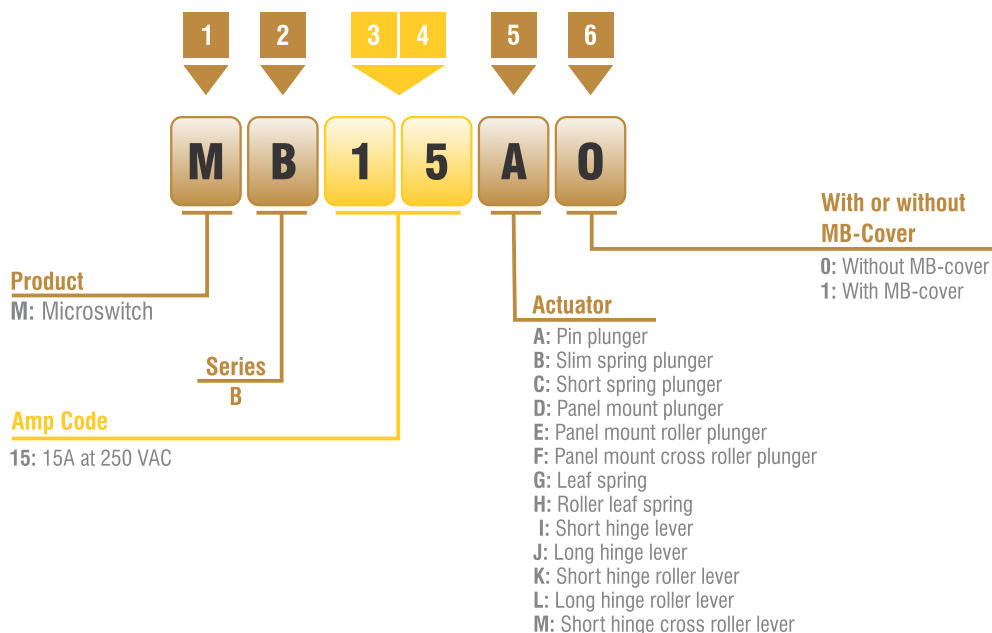
- ▶ Approx. Dimensions: 50x20x17 mm
- ▶ 13 Various models witch different actuator models
- ▶ Copper-Silver alloy contacts. Can also be delivered witch Gold coated contacts.
- ▶ Body made of Thermoset material (Bakelite) with high electrical, thermal and mechanical resistivity
- ▶ Screw-type terminals
- ▶ Two installation possibilities, Side and Top (suitable for panel mounting)
- ▶ Easy installation, suitable packing, quick delivery
- ▶ Optional Terminal Cover (MB-Cover, Ref. to page 104) to raise protection degree to IP62

	Technical data
Operating frequency*	1 to 1000 (mm/sec)
Breaking capacity	120 ops. per min. without load. 20 ops. Per min. with load.
Contacts resistance (Initial value)	Max 15 m Ω (125gr operation press weight) (Resistance increases with lower operation press weight in models.)
Dielectric Strength	1000VAC, 50 Hz, between terminals of same polarity
Shock resistance	Destruction at 1000 m/sec ² Malfunction at 50 m/sec ² Correct operation at lower shock acceleration
Electrical shock protection	Class A
Life	1,000,000 breakings without load 100,000 breakings with load
Degree of Protection	IP00 IP62 (with MB-Cover)
Ambient operating temperature	-25 to 80 Celsius degrees -15 to 80 Celsius degrees (with MB-cover)
Ambient operation humidity	max 85% (-25 to 80 Celsius degrees) max 95% (-15 to 80 Celsius degrees) (with MB-cover)
Weight* (Gram)	42-48

*. For models with pin plunger actuator

In order to understand the product model numbers, please view the bellow guide.

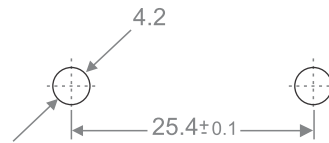
Each model is defined by a six letter code described below:



■ Drilling Guide

A. Side Mount (all models)

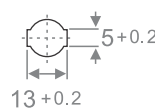
Two 4.2 mm holes suitable for M4 size screw.
Screw tightening torque is approx. 1.18 to 1.47 N/m.



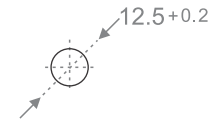
M4

B. Top Mount (below types only) For panel mounting.

Tightening torque is approx. 2.94 to 4.9 N/m.



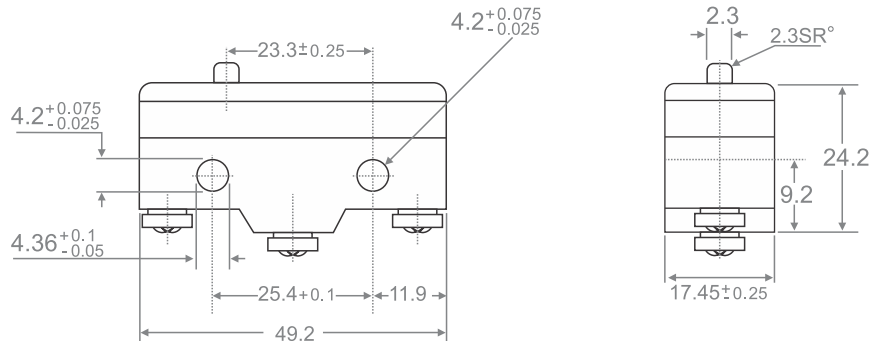
MB15Ex
MB15Fx



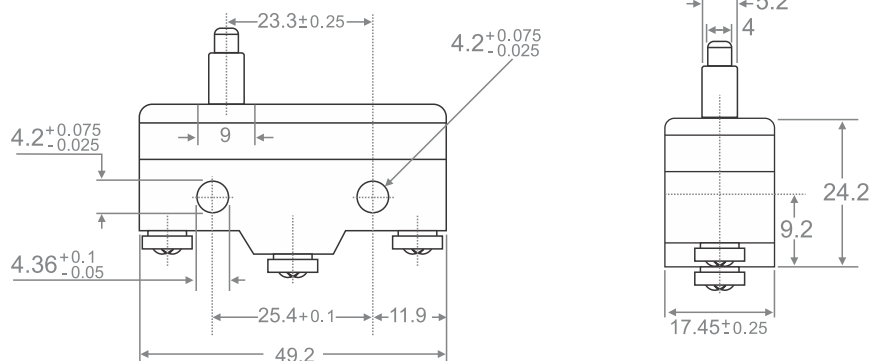
MB15Dx

Attention: Please do not install the switch using both above methods at the same time, as it will result in switch damage.

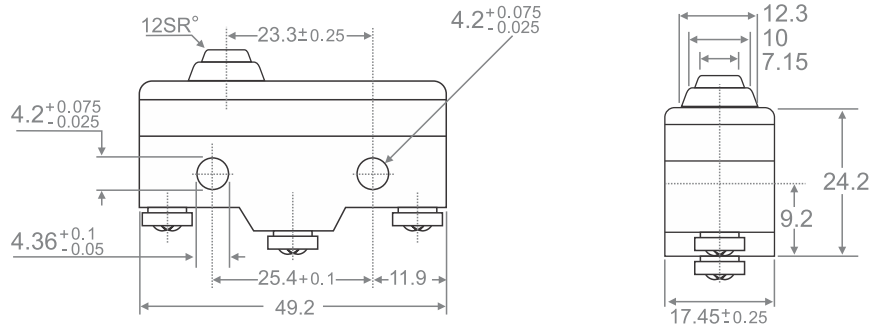
MB 15 A xx



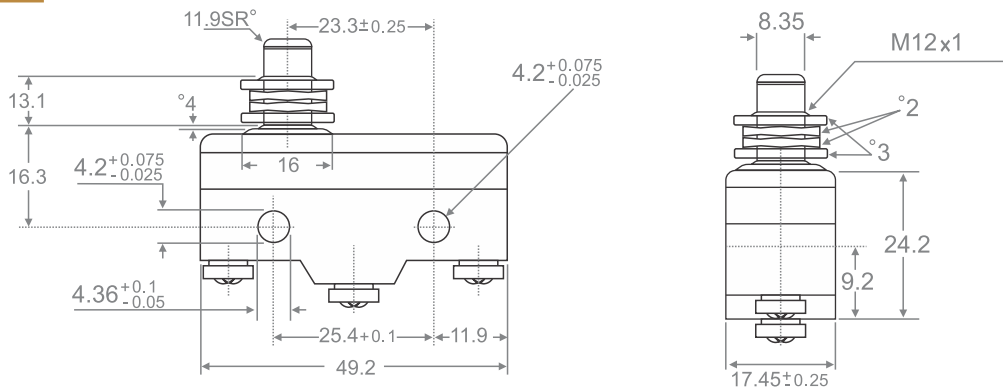
MB 15 B xx



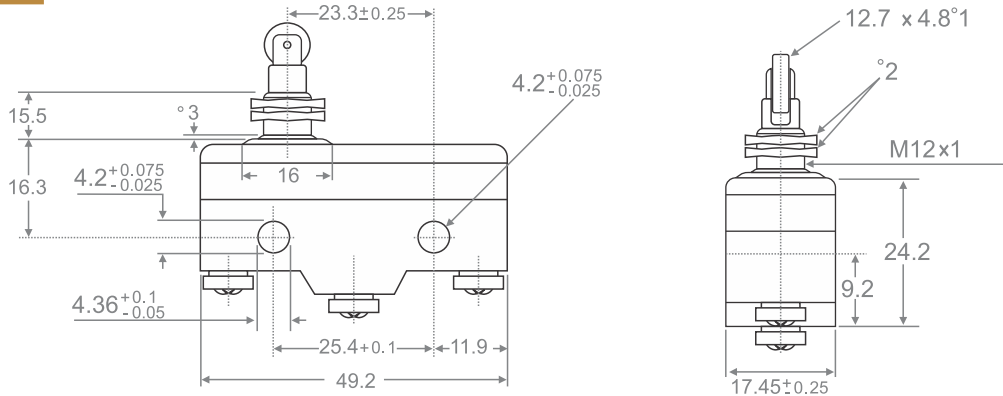
MB 15 C xx



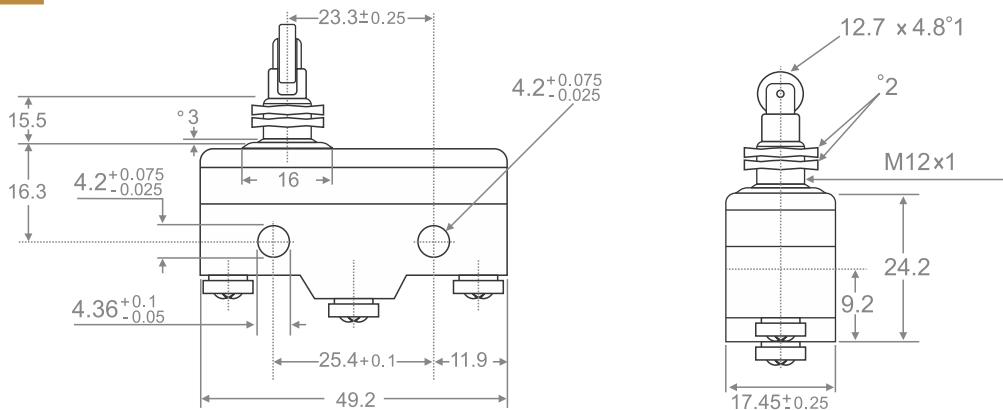
MB 15 D xx



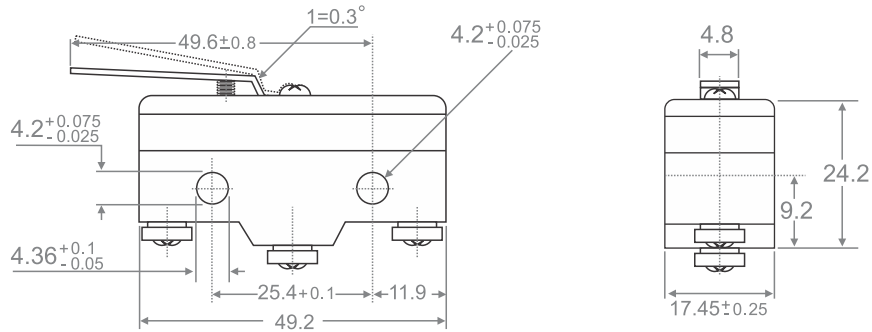
MB 15 E xx



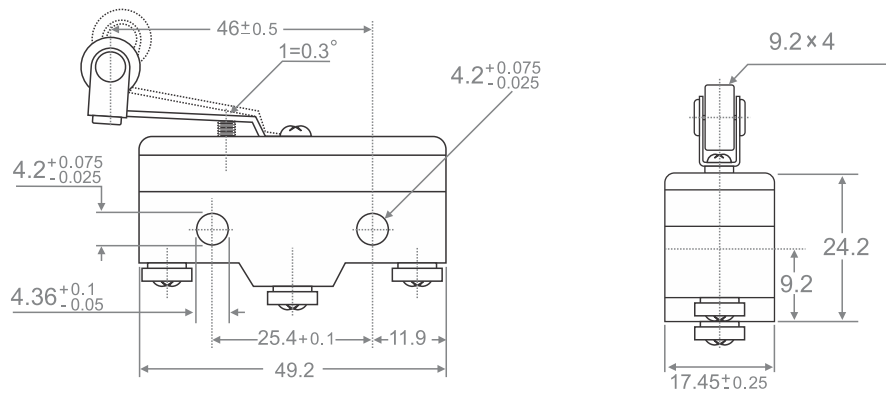
MB 15 F xx



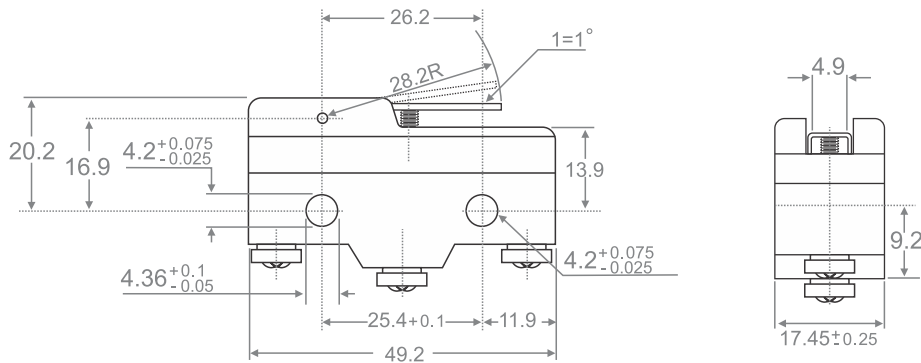
MB 15 G xx



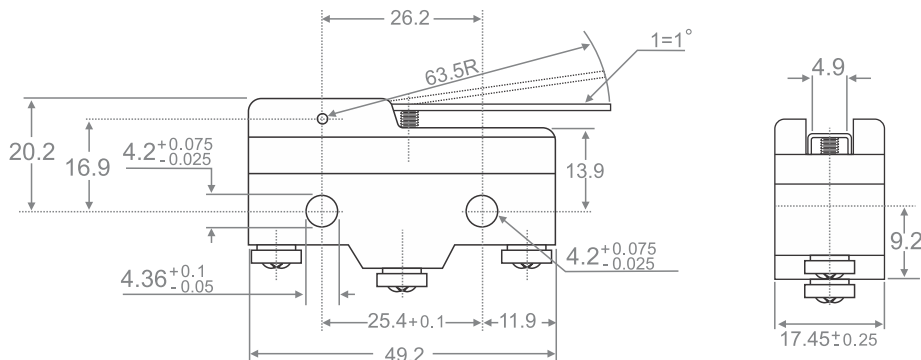
MB 15 H xx



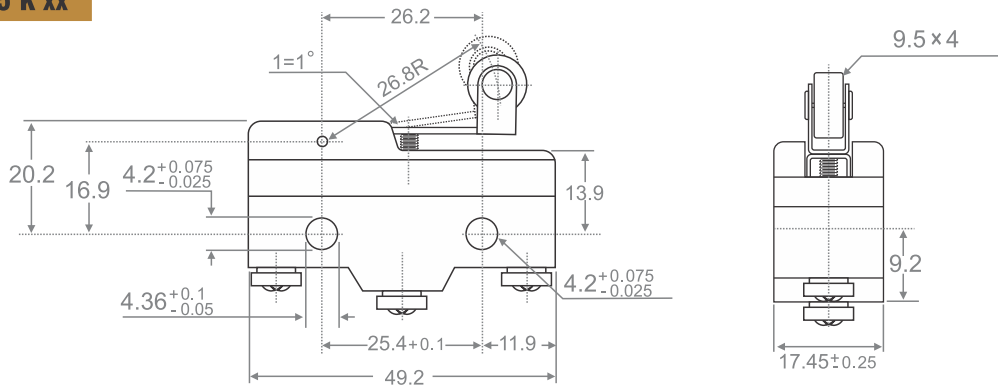
MB 15 I xx



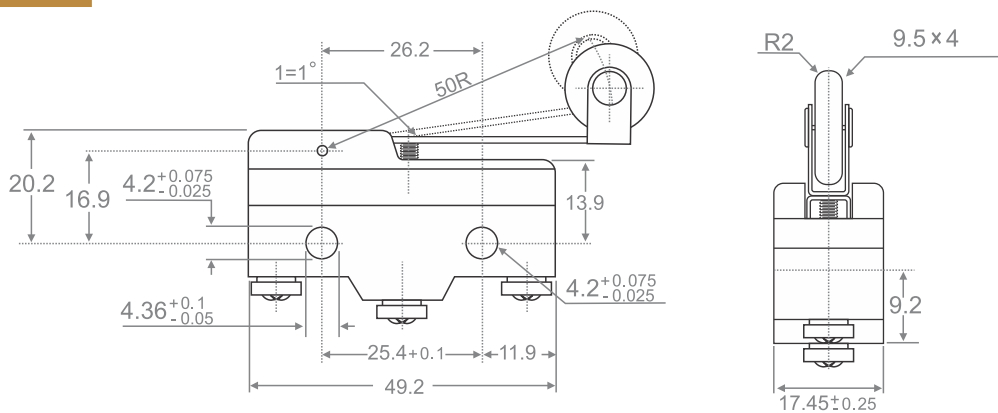
MB 15 J xx



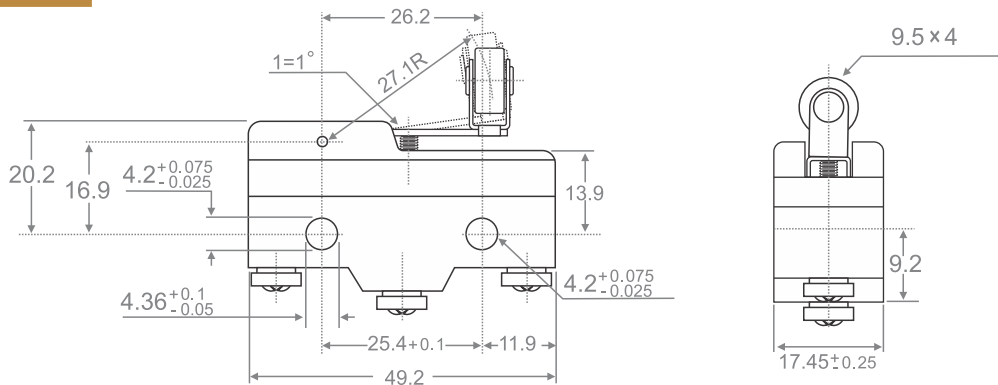
MB 15 K xx



MB 15 L xx



MB 15 M xx



MB-Cover

This Rubber packing improves the sealing of switch housing and the switch terminals to protection degree IP62. This item can be ordered separately by order code "MB-Cover".

